

# Technical data sheet

All right reserved Landa illuminotecnica S.p.A.  
will reserve to change the specific note without  
any written notice.

LANDA®  
illuminotecnica

## Wall Mira 65

Article 4185LL5H. BRZ Warm White
Product type: recessed wall light
Body material Anodized aluminium AW 6060
Polycarbonate diffuser in opal finish and silicon gasket
Dimmable: NO
Recessed box is in a high density polyethylene with a security ring in nylon material loaded with 30% glass fibre.
Ring in Aluminium AW 6060 anodized in bronze color
<b>240V AC Transformer not requested</b>

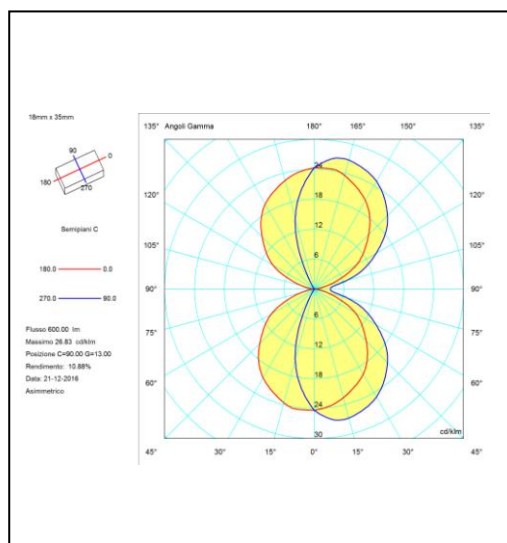
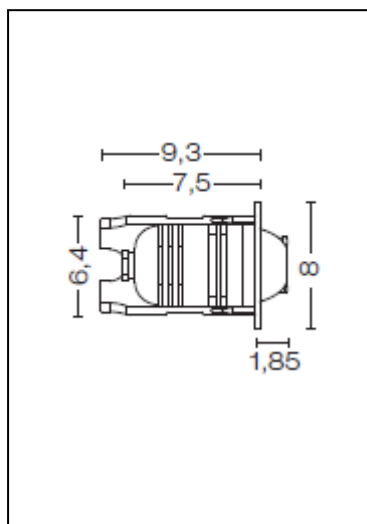
IK08  
IP66

Powered by  
Philips Luxeon H50-2

WarmWhite 5W 400lm  
3000°K RA80

**240V AC**

**Transformer not requested**  
**Supplied with 1 mt. cable H05RN-F**



Accessories available on request:



code **0404M009**  
Single connection IP68