

# Technical data sheet

All right reserved Landa illuminotecnica S.p.A.  
will reserve to change the specific note without  
any written notice.

**LANDA**<sup>®</sup>  
illuminotecnica

## Wall Mira 45

Article 4151L2N.INX Natural White 4151L2H.INX Warm White
Product type: recessed wall light
Body material Anodized aluminium AW 6060
Tempered glass diffuser in sand blasted finish 5mm thick and silicon gasket.
Recessed box is in a high density polyethylene with a security ring in nylon material loaded with 30% glass fibre.
Ring in Aluminium AW 6060 anodized in bronze color
<b>Transformer not included</b>

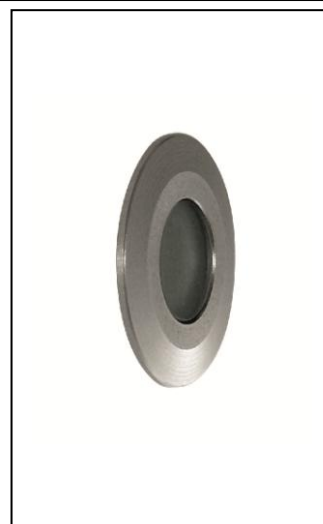
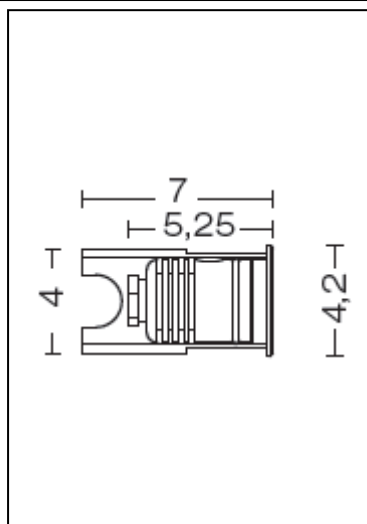
IK08  
IP66  
Powered by  
CREE XPG2  
2W 24V DC

4151L2N.INX 190lm 4000°K Ra80  
4151L2H.INX 190lm 3000°K Ra80

Supplied with 1 mt. cable -05RN-F  
Dimmable: NO

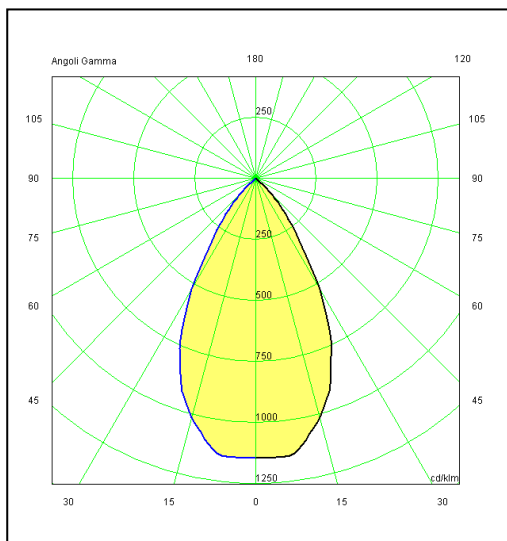


CE



IP67 transformer available on request:  
0409BT014 12W from 1 to 5 pcs.  
0409BT015 25W from 1 to 10 pcs.

IP67 transformer on request:  
0409BT016 100W from 1 to 42 pcs.



Accessories available on request:



code **0404M009**  
Single connection IP68