

# Technical data sheet

All right reserved Landa illuminotecnica S.p.A.  
will reserve to change the specific note without  
any written notice.

LANDA®  
illuminotecnica

## Wall Mira 65

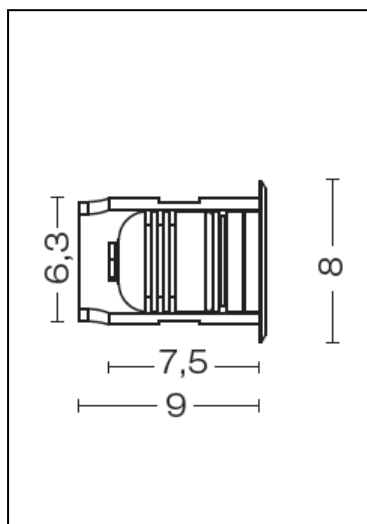
Article 4155L5N.INX Natural White 4155L5H.INX Warm White
Product type: recessed wall light
Body material Anodized aluminium AW 6060
Tempered glass diffuser in sand blasted finish 5mm thick and silicon gasket.
Dimmable: NO
Recessed box is in a high density polyethylene with a security ring in nylon material loaded with 30% glass fibre.
Ring in Aluminium AW 6060 anodized in bronze color
<b>24V DC Transformer not included</b>

IK08  
IP66  
Powered by  
CREE XPG2

4155L5N.INX 570lm 4000°K RA80  
4155L5H.INX 570lm 3000°K RA80

**24V DC Transformer not included**

Supplied with 1 mt. cable -05RN-F



IP67 transformer available on request:  
0409BT014 12W from 1 to 2 pcs.  
0409BT015 25W from 1 to 4 pcs.

IP67 transformer on request:  
0409BT016 100W from 1 to 16 pcs.

Accessories available on request:



code **0404M009**  
Single connection IP68

