

# Technical data sheet

All right reserved Landa illuminotecnica S.p.A.  
will reserve to change the specific note without  
any written notice.

**LANDA**<sup>®</sup>  
illuminotecnica

## Mira 45

Article 4157LS2N.BRZ Natural White	4157LS2H.BRZ Warm White
Product type: Recessed	
Body material Anodized aluminium AW 6060	
Transparent polycarbonate diffuser and silicon gasket.	
Lens included: beam 10°	
Colour: bronze anodized	
<b><u>Transformer not included</u></b>	

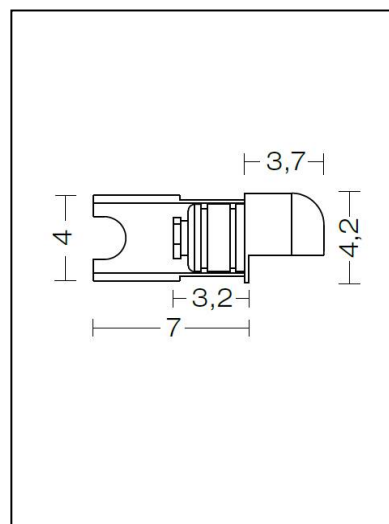
IK08  
IP67  
Powered by  
Seoul Semiconductor Z5M

2W 24V DC  
With lens: beam 10°

4157LS2N.BRZ 160lm  
4000°K Ra80 1600lx at 1mt

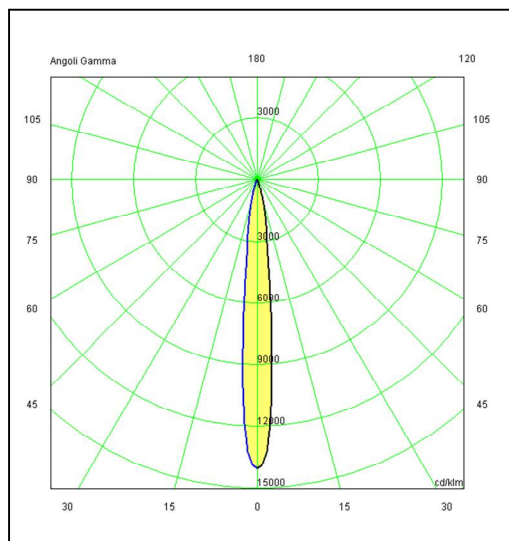
4157LL2H.BRZ 160lm  
3000°K Ra80 1600lx at 1mt

**Supplied with 1 mt. cable NS20N**  
Dimmable: NO



IP67 transformer available on request:  
0409BT014 12W from 1 to 5 pcs.  
0409BT015 25W from 1 to 10 pcs.

IP67 transformer on request:  
0409BT016 100W from 1 to 42 pcs.



Accessories available on request:



code **0404M009**  
Single connection IP68