

Technical data sheet

All right reserved Landa illuminotecnica S.p.A.
will reserve to change the specific note without
any written notice.

LANDA®
illuminotecnica

Mira 45

Article 4157LS2N.INX Natural White 4157LS2H.INX Warm White
Product type: Recessed
Body material Anodized aluminium AW 6060
Transparent polycarbonate diffuser and silicon gasket.
Lens included: beam 10°
Colour: bronze anodized
Transformer not included

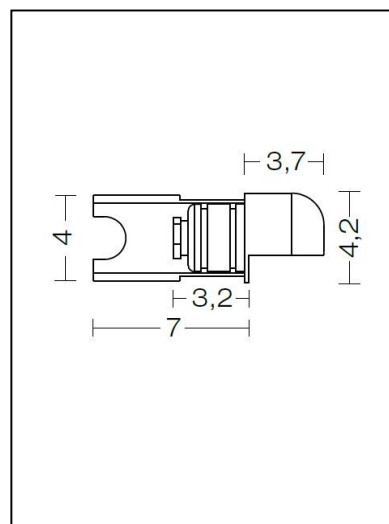
IK08
IP67
Powered by
Seoul Semiconductor Z5M

2W 24V DC
With lens: beam 10°

4157LS2N.INX 160lm
4000°K Ra80 1600lx at 1mt

4157LL2H.INX 160lm
3000°K Ra80 1600lx at 1mt

Supplied with 1 mt. cable NS20N
Dimmable: NO



IP67 transformer available on request:
0409BT014 12W from 1 to 5 pcs.
0409BT015 25W from 1 to 10 pcs.

IP67 transformer on request:
0409BT016 100W from 1 to 42 pcs.

Accessories available on request:



code **0404M009**
Single connection IP68

