

Technical data sheet

All right reserved Landa illuminotecnica S.p.A.
will reserve to change the specific note without
any written notice.

Wall Mira 65

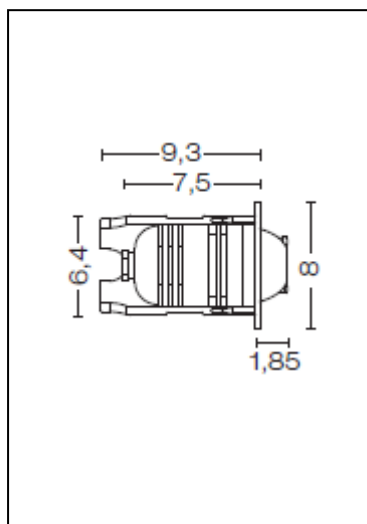
Article 4175LL5N. BRZ Natural White	4175LL5H. BRZ Warm White
Product type: recessed wall light	
Body material Anodized aluminium AW 6060	
Polycarbonate diffuser in opal finish and silicon gasket	
Dimmable: NO	
Recessed box is in a high density polyethylene with a security ring in nylon material loaded with 30% glass fibre.	
Ring in Aluminium AW 6060 anodized in bronze color	
24V DC <u>Transformer not included</u>	

IK08
IP66
Powered by
Cree XPG2

4175LL5N. BRZ 570lm 4000°K RA80
4175LL5H. BRZ 570lm 3000°K RA80

24V DC Transformer not included

Supplied with 1 mt. cable NS20N



IP67 transformer available on request:
0409BT014 12W from 1 to 2 pcs.
0409BT015 25W from 1 to 4 pcs.

IP67 transformer on request:
0409BT016 100W from 1 to 16 pcs.

Accessories available on request:



code **0404M009**
Single connection IP68

