

Technical data sheet

All right reserved Landa illuminotecnica S.p.A.
will reserve to change the specific note without
any written notice.

LANDA[®]
illuminotecnica

Wall Mira 65

Article 4185LL5H.INX Warm White
Product type: recessed wall light
Body material Anodized aluminium AW 6060
Polycarbonate diffuser in opal finish and silicon gasket
Dimmable: NO
Recessed box is in a high density polyethylene with a security ring in nylon material loaded with 30% glass fibre.
Ring in Aluminium AW 6060 anodized in inox color
240V AC Transformer not requested

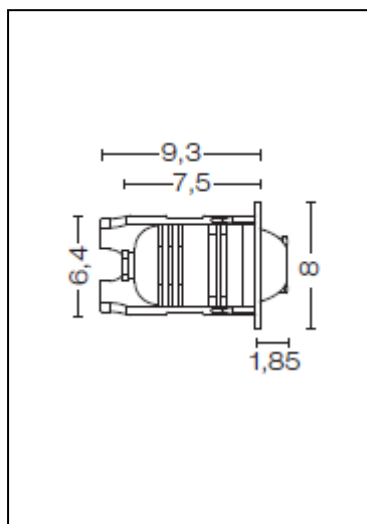
IK08
IP66

Powered by
Philips Luxeon H50-2

WarmWhite 5W 400lm
3000°K RA80

240V AC

Transformer not requested
Supplied with 1 mt. cable H05RN-F



IP67 transformer available on request:
0409BT014 12W from 1 to 2 pcs.
0409BT015 25W from 1 to 4 pcs.

IP67 transformer on request:
0409BT016 100W from 1 to 16 pcs.

Accessories available on request:



code **0404M009**
Single connection IP68

