

Technical data sheet

All right reserved Landa illuminotecnica S.p.A.
will reserve to change the specific note without
any written notice.

LANDA[®]
illuminotecnica

Lyras 65

Article 4699L5H.INX Warm White
Product type: Projector
Body material Anodized aluminium AW 6060
Tempered glass diffuser in sand blasted finish 5mm thick and silicon gasket.
Dimmable: no
Colour: stainless steel anodized
240V AC <u>Transformer not requested</u>

IK08
IP67

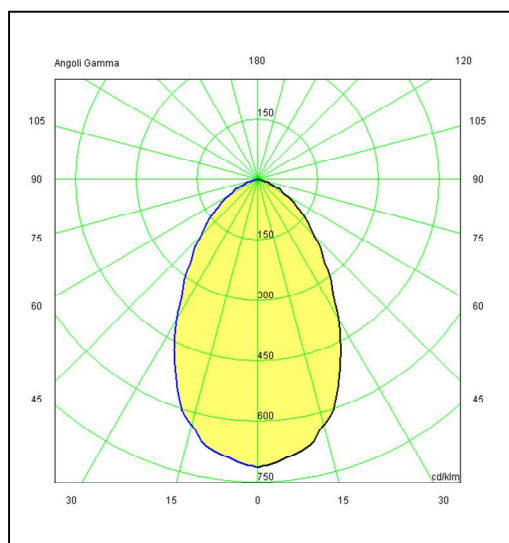
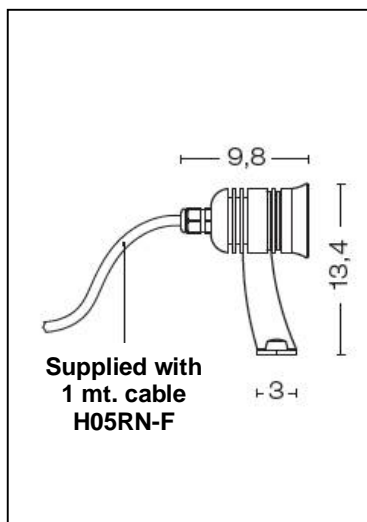
Powered by
Philips Luxeon H50-2

Warm White 5W 400lm
3000°K RA80

240V AC

Transformer not requested
Supplied with 1 mt. cable H05RN-F

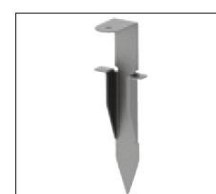
CE



Accessories available on request:



code **0404M009**
Single connection IP68



code **00A469**
Mounting spike