

Technical data sheet

All right reserved Landa illuminotecnica S.p.A.
will reserve to change the specific note without
any written notice.

LANDA®
illuminotecnica

Mira 65

Article 5382LL5H.BRZ Warm White
Product type: Recessed
Body material Anodized aluminium AW 6060
Opal polycarbonate diffuser in 5mm thick and silicon gasket.
Dimmable: no
Colour: bronze anodized
240V AC Transformer not requested

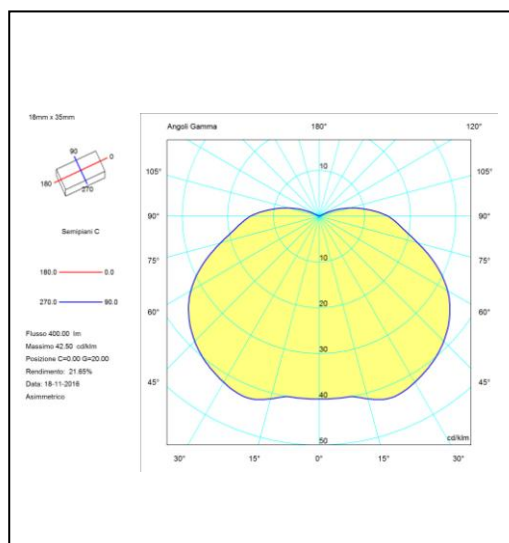
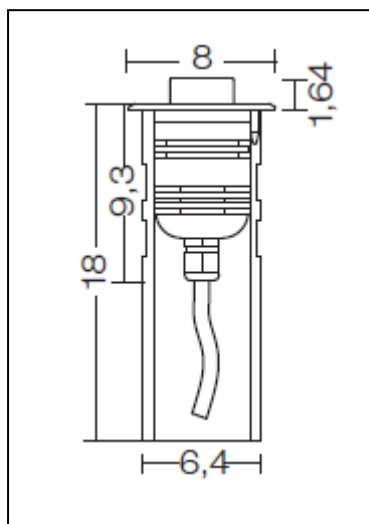
IK08
IP67

Powered by
Philips Luxeon H50-2

WarmWhite 5W 400lm
3000°K RA80

240V AC

Transformer not requested
Supplied with 1 mt. cable H05RN-F



Accessories available on request:



code **0404M009**
Single connection IP68

