

# Technical data sheet

All right reserved Landa illuminotecnica S.p.A.  
will reserve to change the specific note without  
any written notice.

**LANDA**<sup>®</sup>  
illuminotecnica

## Mira 65

Article 5386LL5H.BRZ Warm White
Product type: Recessed
Body material Anodized aluminium AW 6060
Opal polycarbonate diffuser in 5mm thick and silicon gasket.
Dimmable: no
Colour: bronze anodized
<b>240V AC Transformer not requested</b>

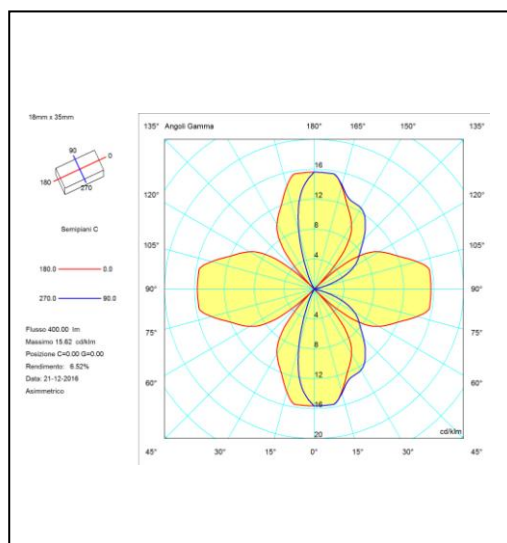
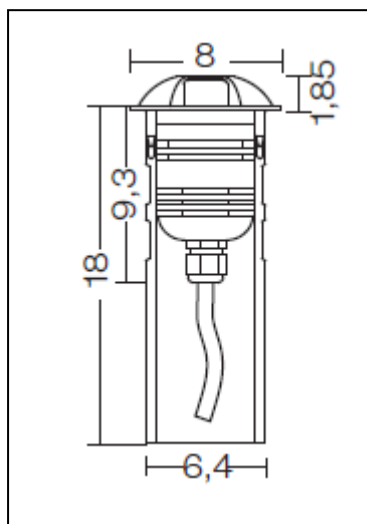
IK08  
IP67

Powered by  
Philips Luxeon H50-2

WarmWhite 5W 400lm  
3000°K RA80

**240V AC**

**Transformer not requested**  
**Supplied with 1 mt. cable H05RN-F**



Accessories available on request:



code **0404M009**  
Single connection IP68

