

serie/series

venezia mini

art.
310

example code:
| art. | finishing | size | colour |
310 . 00 bgg



180 | TRADITIONAL

corpo alluminio pressofuso
body in die casting aluminium
corps en aluminium moulé
sous pression
cuerpo aluminio inyectado
Körper aus Aluminium-
Druckguss

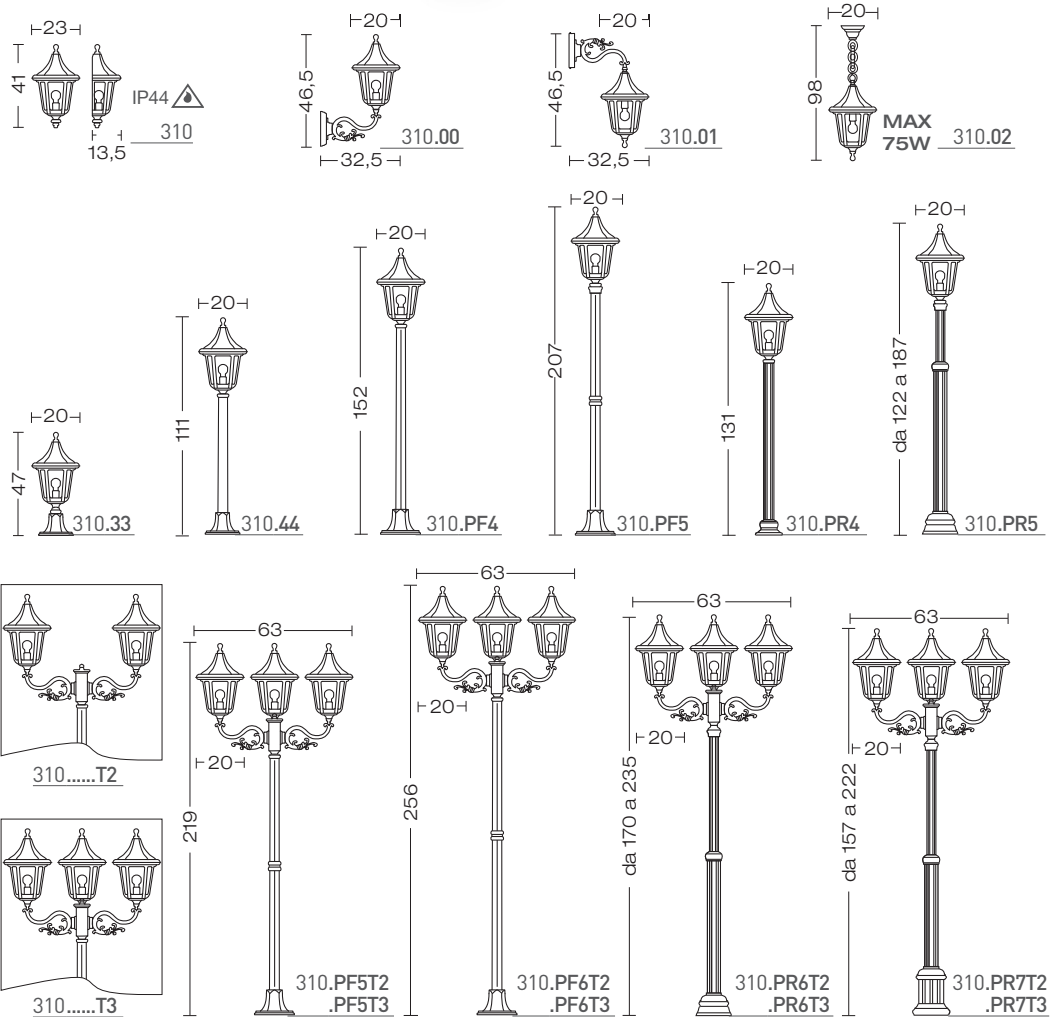
diffusore policarbonato
trasparente
diffuser transparent
polycarbonate
diffuseur polycarbonate
transparent
difusor policarbonato
transparente
Diffuser Polykarbonat klar

dettagli / details / details detalles / details:
p.164-165

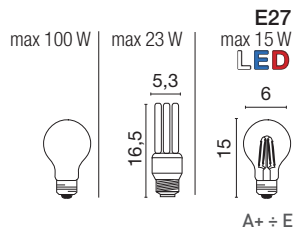
FOR TECHNICAL DETAILS VISIT
www.landa.it

IP43

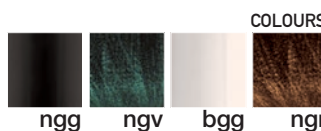
960°



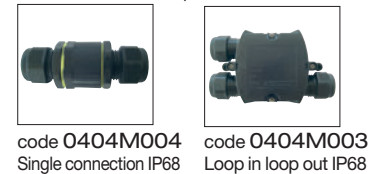
ELECTRIFICATION



Energy efficiency classes

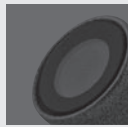


Accessories on request:



venezia mini

Projectors



Recessed



Contemporary



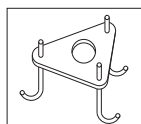
Traditional



ENERGY SAVING

TRADITIONAL

181



Anchor Bolt:
code

310.PF4.....
310.PF5.....
310.PF6.....

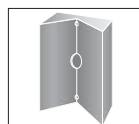
00APF6

310.PR5.....
310.PR6.....

00APR6

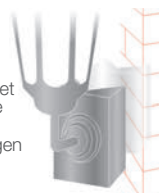
310.PR7.....

00APR8



00108

angoliera
corner bracket
patte d'angle
esquinera
Eckhalterungen

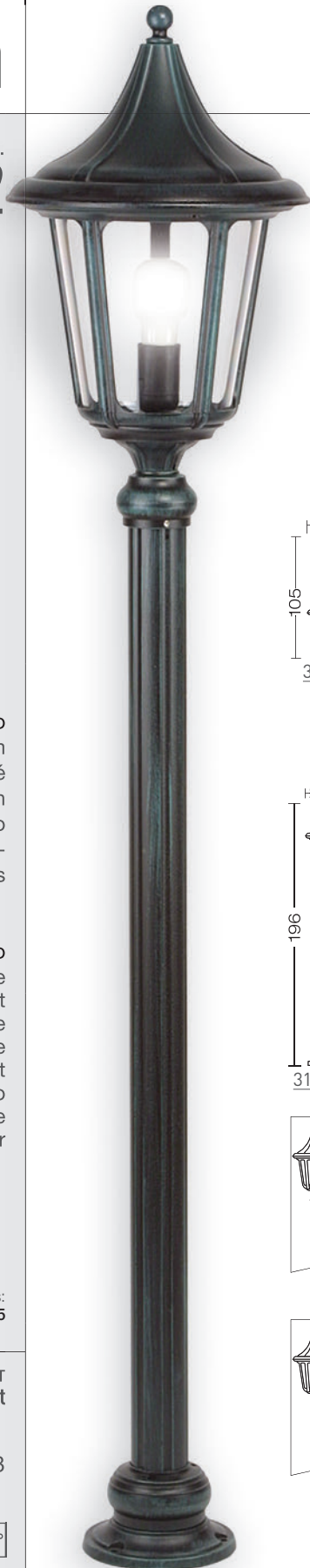


esempio di fissaggio
fixing example
exemple de fixation
ejemplo de fijación
Beispiel von Fixierung

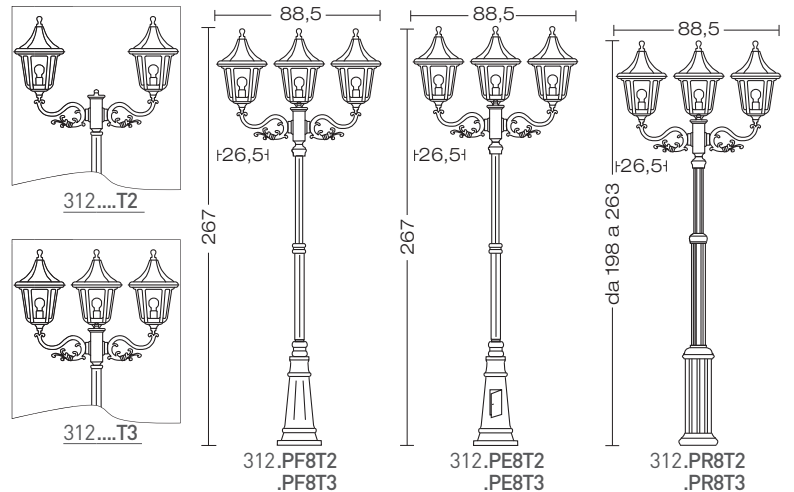
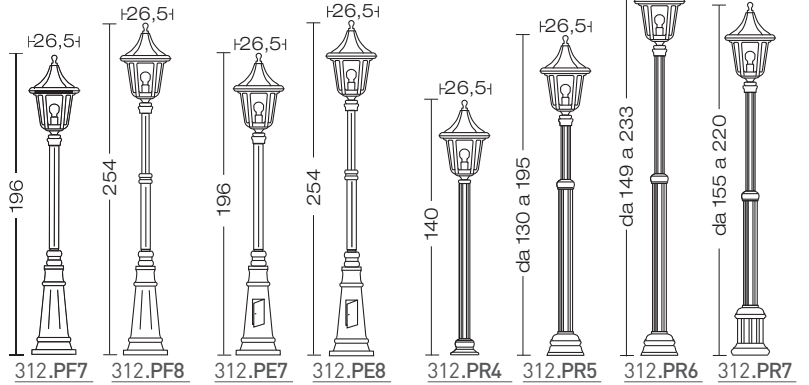
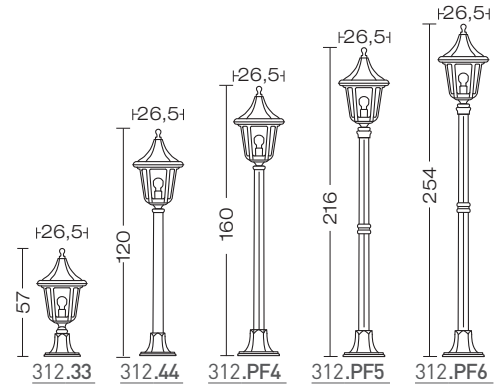
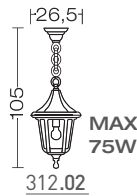
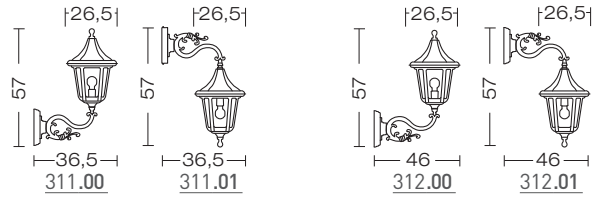


venezia

art.
311-312



example code:
art. finishing size colour
312 . PF4 ngr



182 | TRADITIONAL

corpo alluminio pressofuso
body in die casting aluminium
corps en aluminium moulé
sous pression
cuerpo aluminio inyectado
Körper aus Aluminium-
Druckguss

diffusore policarbonato
trasparente
diffuser transparent
polycarbonate
diffuseur polycarbonate
transparent
difusor policarbonato
transparente
Diffuser Polykarbonat klar

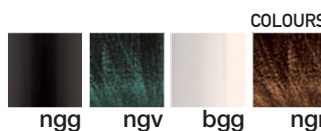
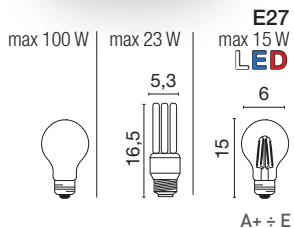
dettagli / details / details detalles / details:
p.164-165

FOR TECHNICAL DETAILS VISIT
www.landa.it

IP43

960°

ELECTRIFICATION



Accessories on request:



code 0404M004
Single connection IP68



code 0404M003
Loop in loop out IP68

Energy efficiency classes

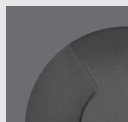
A+ ÷ E

venezia

Projectors



Recessed



Contemporary



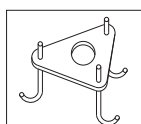
Traditional



ENERGY
SAVING

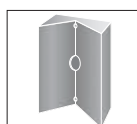
TRADITIONAL

183



Anchor Bolt:
code

| | | | |
|--------------|--------------|--------------|--------------|
| 312.PF4..... | 312.PF7..... | | |
| 312.PF5..... | 312.PF8..... | | |
| 312.PF6..... | 312.PE7..... | 312.PR5..... | 312.PR7..... |
| | 312.PE8..... | 312.PR6..... | 312.PR8..... |
| 00APF6 | 00APF8 | 00APR6 | 00APR8 |



00108

angoliera
corner bracket
patte d'angle
esquinera
Eckhalterungen



esempio di fissaggio
fixing example
exemple de fixation
ejemplo de fijación
Beispiel von Fixierung

